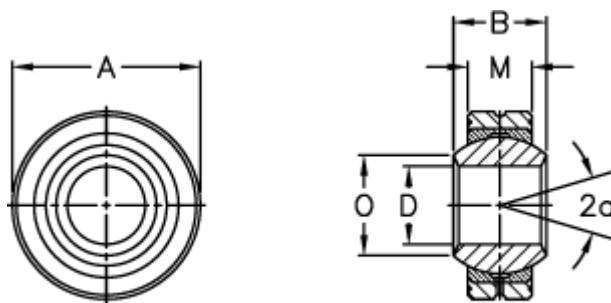


Article number: 03416020

Description: Fluro Rod end GLXS 20 MO

Measures



Str. 3-4 uden smørerille

A	= 46	Static load C0 (kN) = 188.5
a (degrees)	= 14	Weight = 200
B	= 25	
D	= 20	
Dynamic load C (kN)	= 31.5	
M	= 18	
O	= 24.3	
Permissible rpm	= 540	